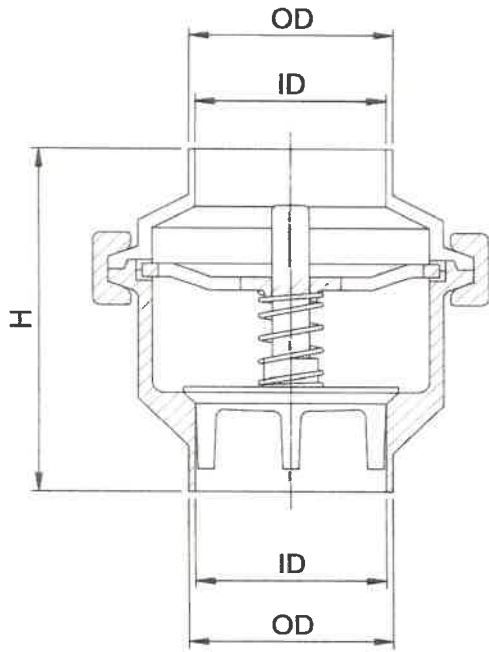


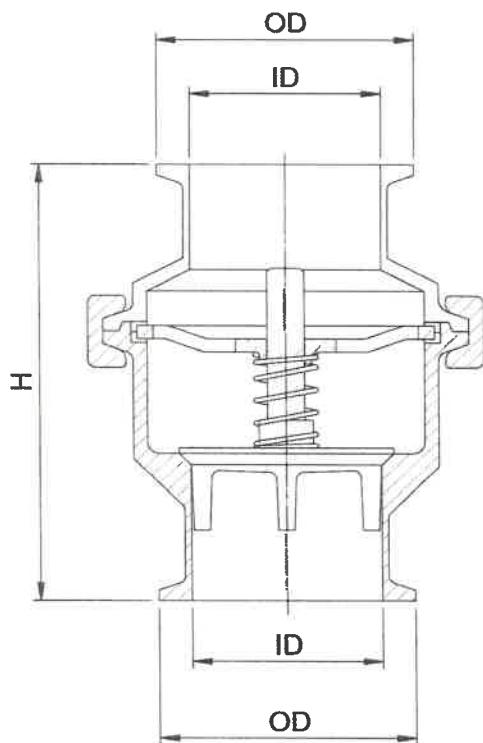
NON-RETURN VALVES

Non-return Valves



3A Weld Non-return valve

SIZE	ID	OD	H
1.0"	22.1	25.4	68.5
1.5"	34.8	38.1	80.5
2.0"	47.5	50.8	90
2.5"	60.2	63.5	95
3.0"	72.2	76.2	115
4.0"	97.6	101.6	155



DIN Weld Non-return valve

DN	ID	OD	H
28	25	28	68.5
34	31	34	80.5
40	37	40	80.5
52	49	52	90
70	66	70	115
85	81	85	120
104	100.	104	155

NON-RETURN VALVES

Non-return Valve

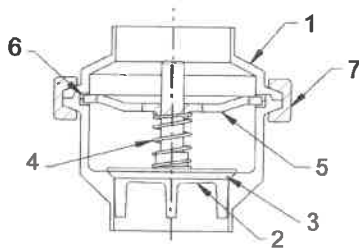
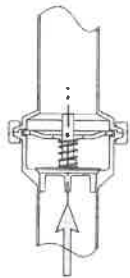


Fig 1. Non-return valve

NO.	Name
1	Body
2	Disc
3	Seal Ring
4	Spring
5	plate
6	Ring
7	Clamp



Flow direction

Fig.3. Show the optimal built-in situation.

Other positions permitted are e.g. horizontal.

The four guide legs of the valve cone ensures good alignment.

Material

Steel parts: Stainless steel AISI 304
or acid-resistant steel
AISI 316L.

Seal ring: EPDM rubber

Finish: Semi bright.

Connections

The valve is available with welding ends for tubes according to 3A,SMS,BS,DIN 1 1850.

Technical data

Required differential pressure for opening the valve when fitted in a vertical pipe, as shown in fig.3, is approx. 6kpa(0.06bar).

Max. product pressure: 1000kpa(10bar).

Max. temperature: 140°C(EPDM).

Min. temperature: -10°C.

Options

Material grades

A) Product wetted seal rings of nitrile(NBR) or Fluorinated rubber (FPM).

Ordering

Please state the following when ordering:

-Size.

-Steel grade, AISI 304 or AISI 316L.

-Rubber grade if not EPDM.

Pressure drop/capacity diagram

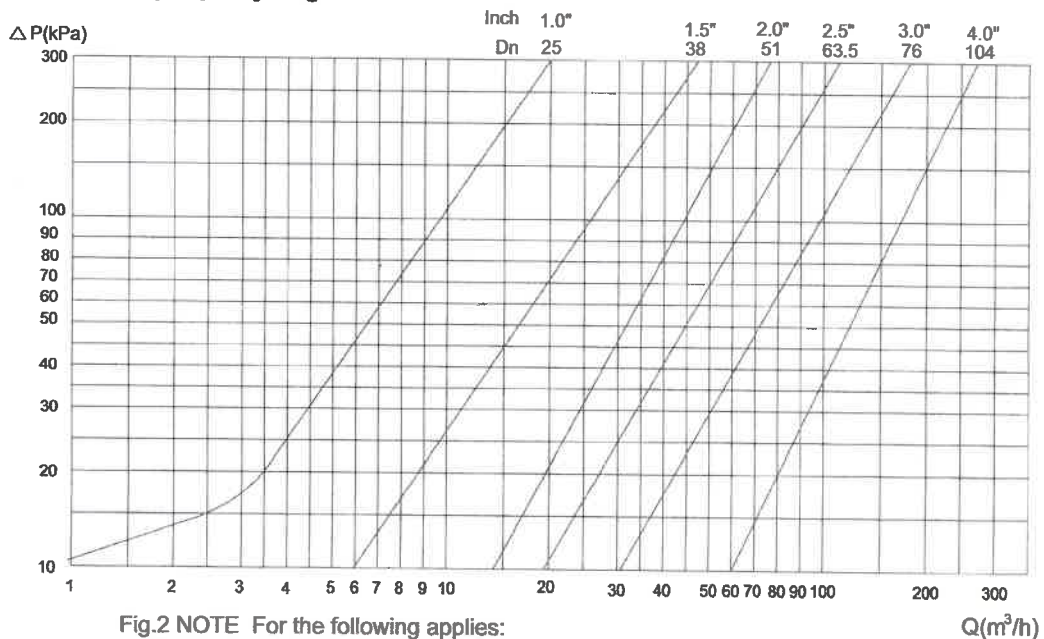


Fig.2 NOTE For the following applies:

Medium: Water(20°C)

Measurement: In accordance with VDI 2173

NON-RETURN VALVES

